



# Hassock Aire

BY  
minkaAire®  
A Minka Group® Co.

*INSTRUCTION MANUAL    WARRANTY CERTIFICATE*

**Manual design and all elements of manual design are protected by U.S. Federal and/or State Law, including Patent, Trademark and/or Copyright laws.**

# Two Years WARRANTY



The Minka-Aire® warranty is for two (2) years from the date of purchase from an authorized Minka-Aire® dealer. This warranty is only valid to the original purchaser or user against all defects in material and workmanship for two (2) years.

- \* The warranty is voided with the use under conditions other than those considered normal.
- \* The warranty is void if the product has not been operated according to the provided instruction for use.
- \* The warranty is void once the product is modified or repaired by personnel not authorized by Minka-Aire.

## Warranty Service Information

To obtain warranty service during the warranty period, the purchaser should return the fan with the sales receipt to the original place of purchase. The authorized Minka-Aire® dealer, at its sole discretion, will either repair or replace the fan after verifying the legitimacy of the warranty claim. Replacement is subject to availability of the same model. If the model is unavailable it will be replaced by one of equal value. This is a limited warranty; the original purchaser or user is responsible for the cost of removal and reinstallation of repaired or replacement product.

To obtain the name of the Minka-Aire® authorized dealer nearest you call the Minka-Aire® customer care department at 1-800-307-3267, or contact Minka-Aire® through [www.minkagroup.net](http://www.minkagroup.net) and select FAQ to answer any question or if you require additional assistance submit the question from found there.

Date Purchased \_\_\_\_\_ Store Purchased \_\_\_\_\_ Model Number F315 Serial Number \_\_\_\_\_

# ***CONTENTS***

SAFETY RULES.....	1
PACKAGE CONTENTS.....	2
WIRING DIAGRAM.....	3
MAINTENANCE.....	4
TROUBLESHOOTING.....	5
SPECIFICATIONS.....	6



1151 W. Bradford Court Corona, California 92882 For Customer Assistance Call: 1-800-307-3267





1

## ***SAFETY RULES***

1. Always unplug unit before cleaning.
2. Always unplug unit when not in use.
3. Always unplug unit when moving from one location to another.
4. Do not insert fingers or any objects through the guard when fan is in operation.
5. Do not operate this unit without fan guards properly locked.
6. Do not use with extension cord.
7. Do not use fan in windows. Rain and moisture may create an electrical hazard.
8. Do not place fan or any parts near an open flame, cooking or other heating appliance.
9. Do not operate this unit with a damaged cord or plug, especially if this unit has been malfunctioning, dropped or damaged.
10. Make sure fan is on a stable, flat surface when in operation.
11. Close supervision is necessary when this unit is used by or near children.
12. Always hold the fan from the bottom of the housing when relocating the fan, pulling of the cord or lifting the fan from the top cover may damage the fan.

**NOTE: READ AND SAVE ALL INSTRUCTIONS!**

NOTE: The important safeguards and instructions appearing in this manual are not meant to cover all possible conditions and situations that may occur. It must be understood that common sense, caution and care are factors which can not be built into this product. These factors must be supplied by the person(s) installing, caring for and operating the unit.

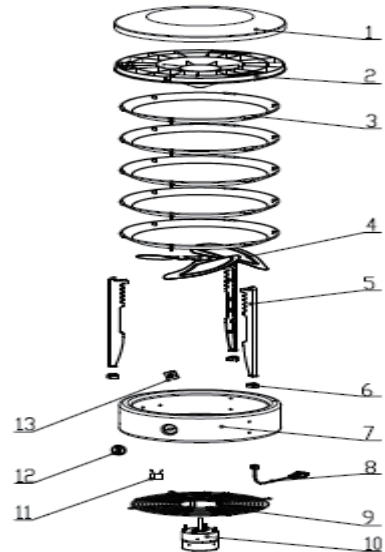
**WARNING**

**TO REDUCE THE RISK OF FIRE OR ELECTRICAL SHOCK, DO NOT USE THIS FAN WITH ANY SOLID STATE SPEED CONTROL DEVICE. THIS APPLIANCE HAS A THREE-PRONG GROUNDED PLUG THAT MUST BE INSERTED INTO A MATCHING OUTLET. TO REDUCE THE RISK OF ELECTRIC SHOCK, THE GROUNDING PLUG MUST NOT BE CUT OFF THE PLUG. WHERE A TWO-PRONG WALL OUTLET IS ENCOUNTERED, IT MUST BE REPLACED: CONTACT A QUALIFIED ELECTRICIAN. DO NOT USE THE THREE-PRONG PLUG WITH A TWO-PRONG ADAPTOR. DO NOT ATTEMPT TO DEFEAT THIS SAFETY FEATURE. USE YOUR FAN ONLY WITH ADEQUATE WIRING THAT IS UP TO CODE. CONNECT TO PROPERLY GROUNDED OUTLETS ONLY.**

## 2

**PACKAGE CONTENTS**

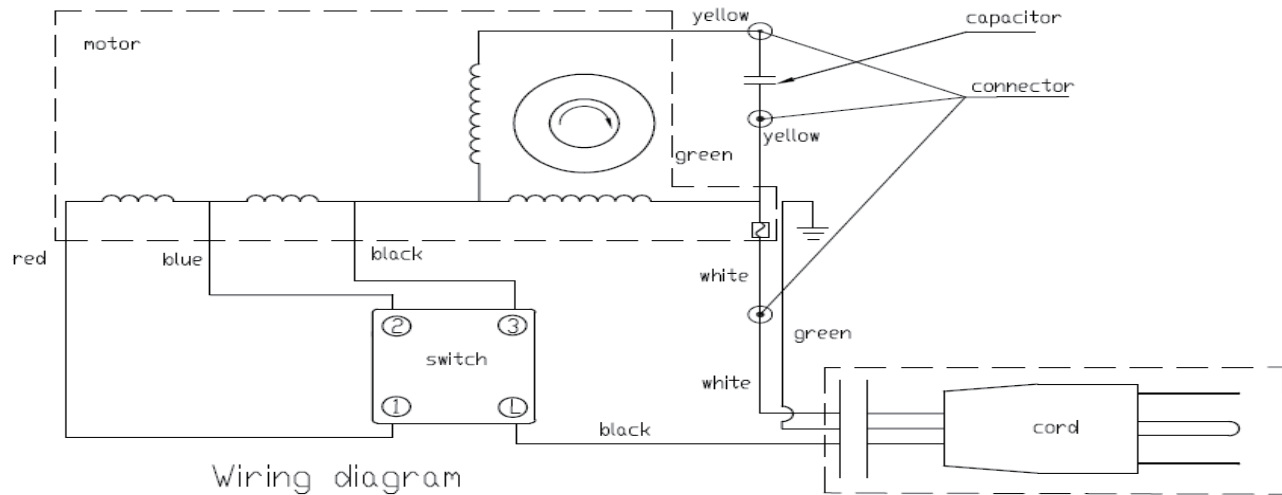
Part	Description	Qty
1	Fan cover	1
2	Air guide	1
3	Outlet ring	5
4	Blade assembly	1 set
5	Stand	3
6	Stand rubber pad	3
7	Fan housing	1
8	Power cord	1
9	Fan guard	1
10	Motor assembly	1
11	Capacitor	1
12	Switch knob	1
13	Switch	1





# WIRING DIAGRAM

3



Wiring diagram

This Diagram is for your reference only.  
There is no need to tamper with the  
plug or switch.



# 4

## *MAINTENANCE*

WARNING: Unplug the fan from the wall outlet before cleaning.

To clean, use a soft damp cloth. Wipe down with a dry cloth. Do not use cleaning solutions that are harmful to paints or plastics. Do not bend the blades. The motor bearings are permanently lubricated.

Problem	Possible Cause	Corrective Action
The fan fails to operate.	1. Fan may not be plugged in.	1. Make sure the fan is plugged in and the electrical outlet is working properly.
	2. There may be some obstructions in the fan.	2. Check for any obstruction. If you find an obstruction, turn the fan "OFF". Unplug the fan and carefully remove the obstruction. Plug the fan in and turn it on again referring to the OPERATING INSTRUCTIONS.
	3. Fuse in plug may blow.	3. Check the fuse. If the fuse blows, unplug the product from the outlet. Replace the fuse as following steps: *Grasp and remove the plug from the receptacle or other outlet device. Do not unplug by pulling on cord. Then slide open the fuse access cover on top of attachment plug towards blades. *Remove the fuse carefully by a flat tip screwdriver. *Replace the fuse only with 5 Amp, 125 Volt fuse (provided with product). *Slide the fuse access cover on top of attachment plug.

## 6

**SPECIFICATIONS**

Size	Speed	Volts	Amps	Watts	RPM	CFM	N.W.	G.W.	C.F.
12 "	Low	120	0.59	71.3	979	989	7.4KG	8.9KG	2.93
	Midium		0.70	84.4	1237	1272			
	High		0.85	96.6	1450	1590			

These are typical readings. Your actual fan may vary.



For any additional information about your Minka-Aire<sup>®</sup> Hassock Fan, please write to:  
 1151 W. Bradford Court Corona, California 92882  
 For customer assistance call: 1-800-307-3267